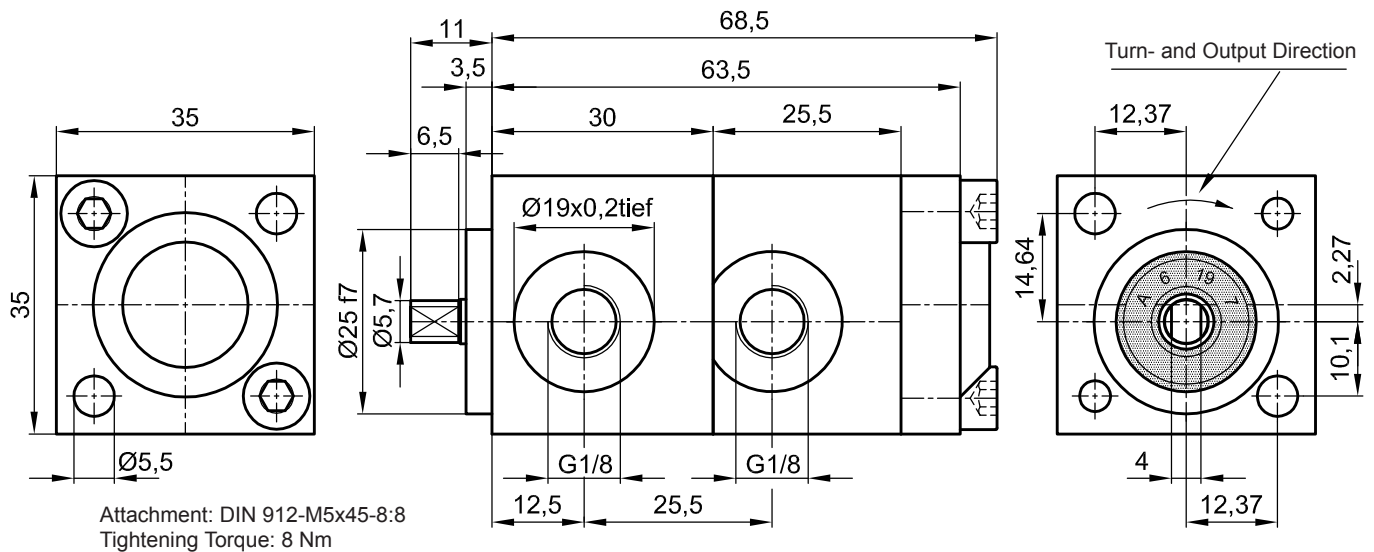


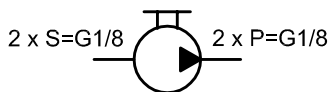
Internal Gear Driven Pump IPZ 1 - HR 2 Double with 2 x 0,12 ccm/RPM

Default Design (Clockwise Shaft Rotation Viewed)



The technical data are based on a viscosity of 46 sq mm/s

Symbol:

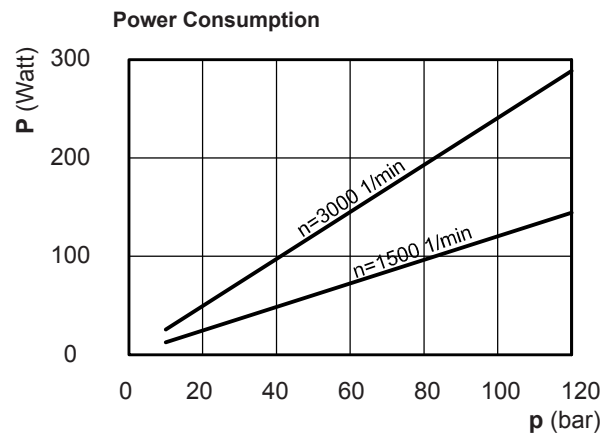
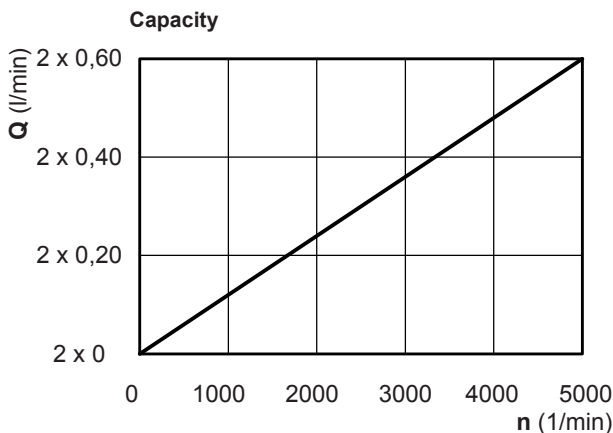


ccm/ rpm	Press./bar max.		RPM max.		RPM min.	Mass	Order No.
	P1	P max	Press. P1	Depress.	Press. P1		
2 x 0,12	80	120	4000	5000	1000	500 g	30078-142

P1 = Working Pressure max. P max. = Pressure Peak

Working Pressure / bar							
Capacity at 1.500 RPM (l/min)							
Power Consumpt./W at 1.500 RPM							
bar	2x10	2x20	2x40	2x60	2x80	2x100	2x120
l/min	2x0,17	2x0,16	2x0,15	2x0,14	2x0,13	2x0,11	2x0,09
Watt	12	24	48	72	96	120	144

Working Pressure / bar							
Capacity at 3.000 RPM (l/min)							
Power Consumpt./W at 3.000 RPM							
bar	2x10	2x20	2x40	2x60	2x80	2x100	2x120
l/min	2x0,35	2x0,34	2x0,33	2x0,32	2x0,31	2x0,30	2x0,26
Watt	24	48	96	144	192	240	288



Please specify Pressure, RPM, Temperature, Gain and the Duty Cycle by ordering!



Jung-Fluidtechnik GmbH
Mohrenstrasse 7
D-76275 Ettlingen

Phone +49 (0) 7243-14648
Fax: +49 (0) 7243-17996
E-Mail: info@jung-fluid.de

Data Sheet
2x IPZ 1-HR 2
subject to modifications