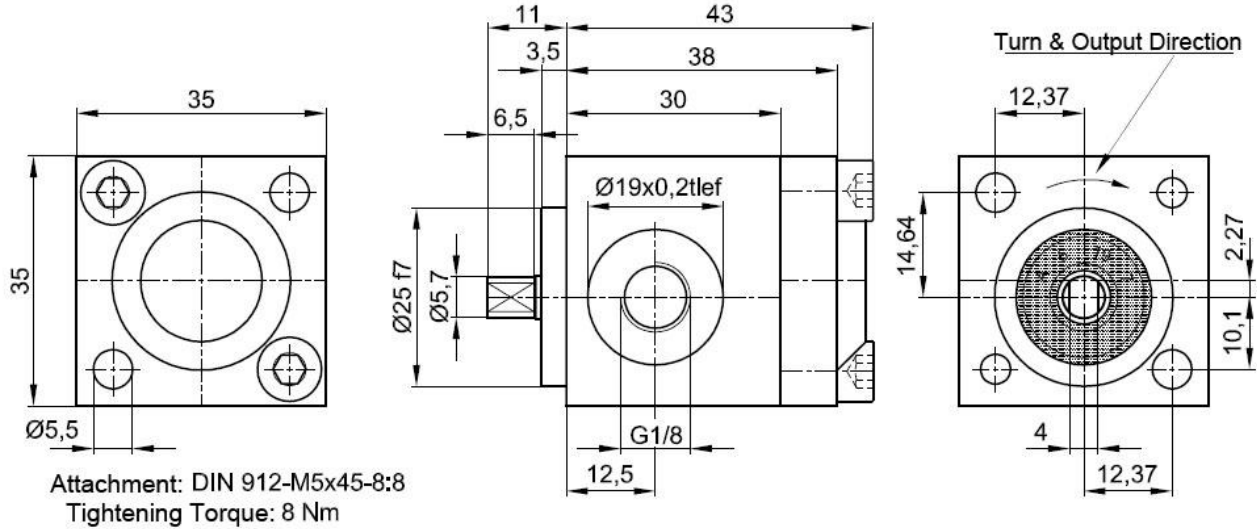
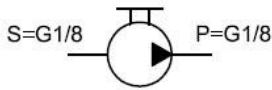


Internal Gear Driven Pump IPZ 0 HR 2 Standard with 0,06cm³/U

Default Design (Clockwise Shaft Rotation Viewed)



Symbol:



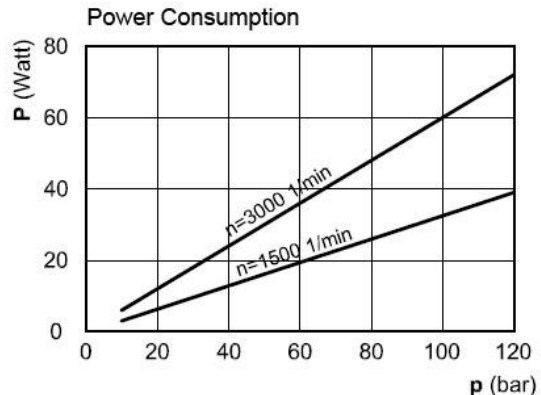
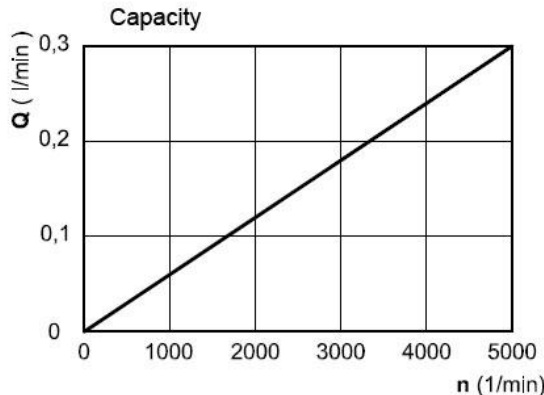
This technical Data is based on a Viscosity of 46 mm /s

cm ³ /U	Max. Press./ bar		Max. RPM		Min. RPM	Mass	Order Nr.
	P1	P max	Bei Druck P1	ohne Druck	Bei Druck P1		
0,06	80	120	4000	5000	1000	300 gr	10000-141

P1 = Working Pressure P max. = Pressure Peak

Working Pressure In bar							
Capacity of 1500 U/mln (l/mln)							
Power consumption in Watt at 1500 U/mln							
bar	10	20	40	60	80	100	120
l/mln	0,09	0,09	0,09	0,09	0,09	0,08	0,08
Watt	3	6	12	18	24	30	39

Working Pressure In bar							
Capacity of 3000 U/mln (l/mln)							
Power consumption in Watt at 3000 U/mln							
bar	10	20	40	60	80	100	120
l/mln	0,18	0,18	0,18	0,17	0,17	0,16	0,16
Watt	6	12	24	36	48	60	72



Please specify the following at time of order: Pressure, RPM, Temperatur, Gain and Duty Cycle!



Jung-Fluidtechnik GmbH
Mohrenstraße 7
D-76275 ETTLINGEN

Tel.: 07243-14648
Fax: 07243-17996
E-Mail: Info@jung-fluid.de

Spec Sheet
IPZ 0 - HR 2
Subject to change